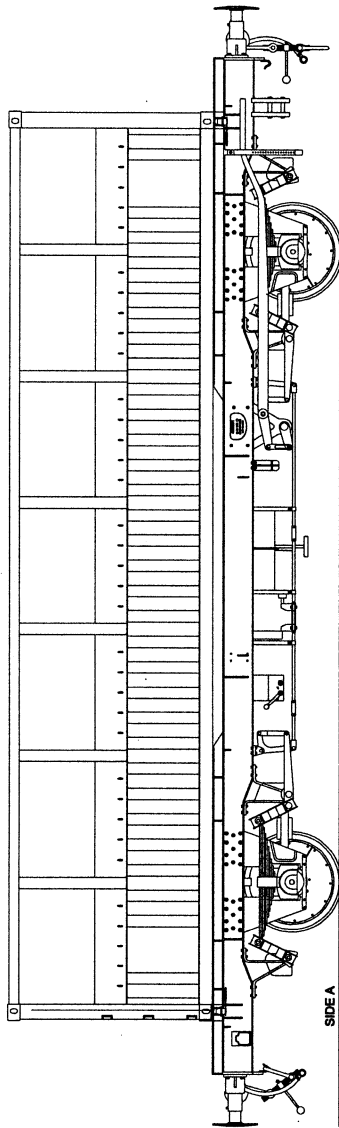
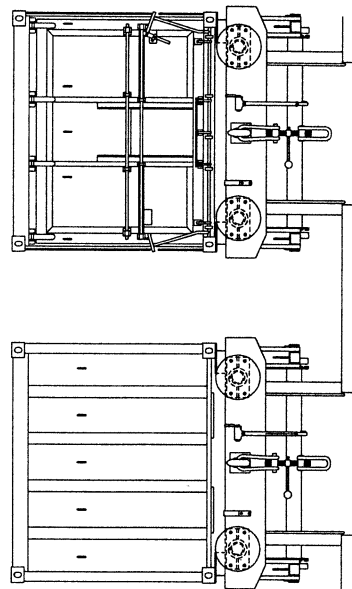
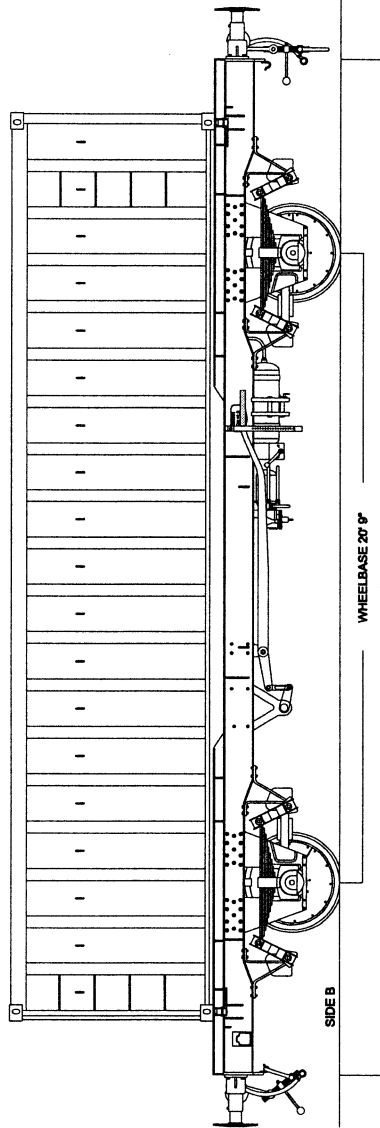
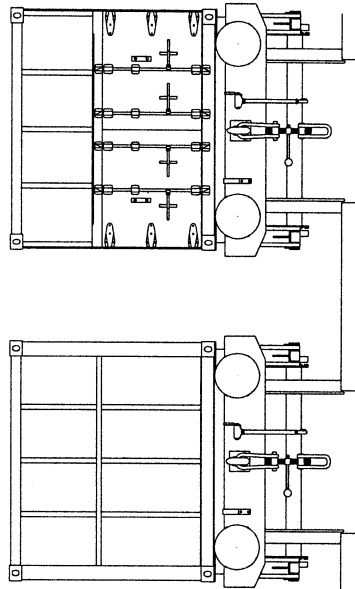


# FPA COAL CONTAINER WAGON

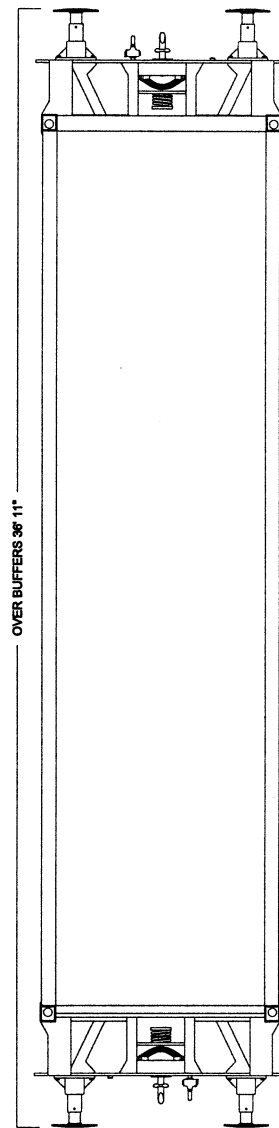
400XXX



© COLIN CRAIG 2000



WHEELBASE 20' 0"  
OVER HEADSTOCKS 33' 6"  
OVER BUFFERS 36' 11"



DRAWING CREATED ON CAD BY COLIN CRAIG FROM  
PRINCIPAL DIMENSIONS IN THE OFFICIAL BR DIAGRAM AND  
FROM PHOTOGRAPHS BY GREG BROOKES AND COLIN CRAIG

**NOTES:**

The drawings represent the conversions performed on Lot No. 3728  
32T steel carrying wagons originally built in 1970/1.

The wagon numbers fall within the range 400000 - 400299

The top drawing shows side A with one type of Russell container;  
the reinforcement lower vertical ribs do vary in number and position,  
presumably as a result of repairs.

The second drawing shows side B with another, more substantial,  
design of Russell container; the number and position of the ladders vary.



Scale 4mm to 1 foot